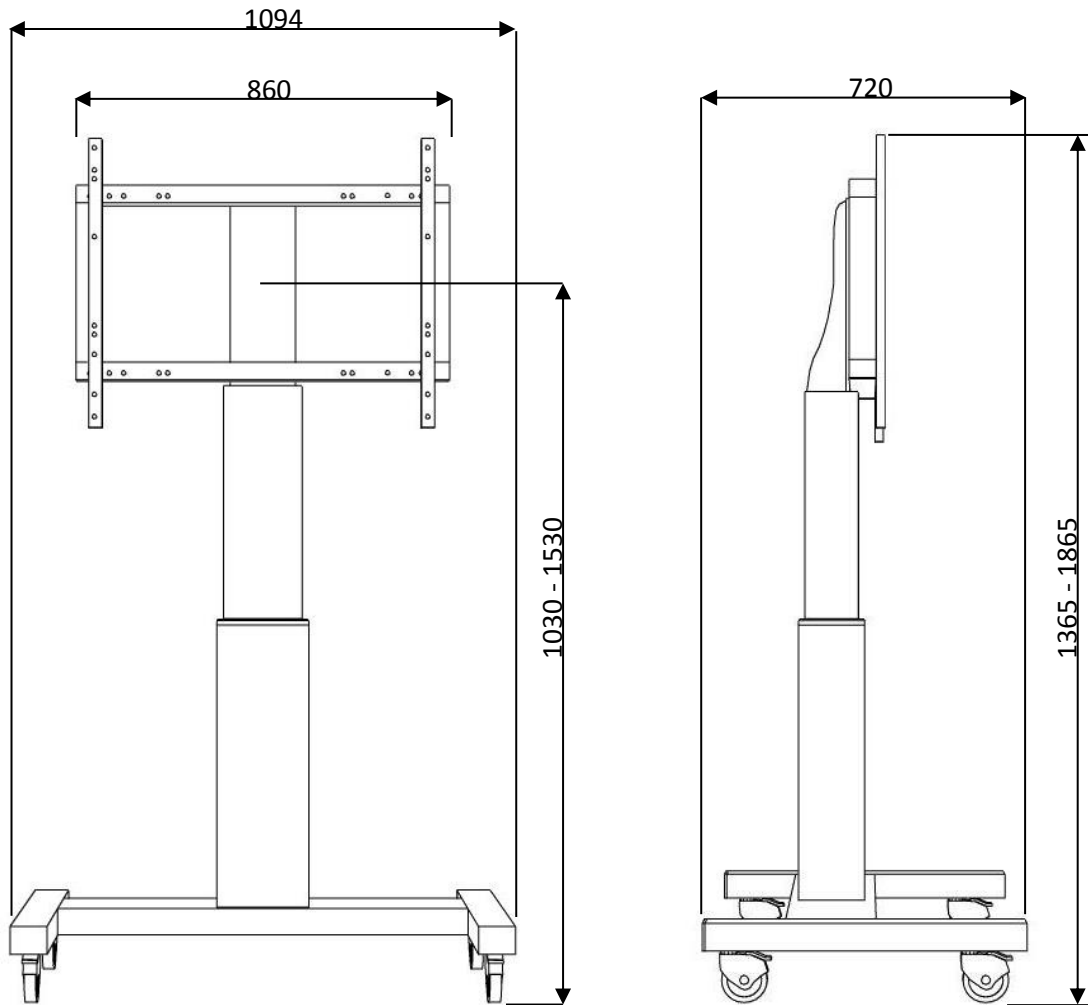


SCETA

Motorized Cart for 42"-84" Flat-Panel Display



Product reference:	SCETA
Product description:	Motorized Mobile Cart for 42"-84" (interactive) Flat-Panel Display
consists of:	AFSCETAN display frame, rail style CCE50 motorized center column, H70cm/27" MSTSCETA mobile stand, H-shape
Mounting pattern:	200/400/600 x 200/400/600/800
Weight capacity:	150 kg / 330 lbs
Net system weight:	56 kg / 123 lbs

